

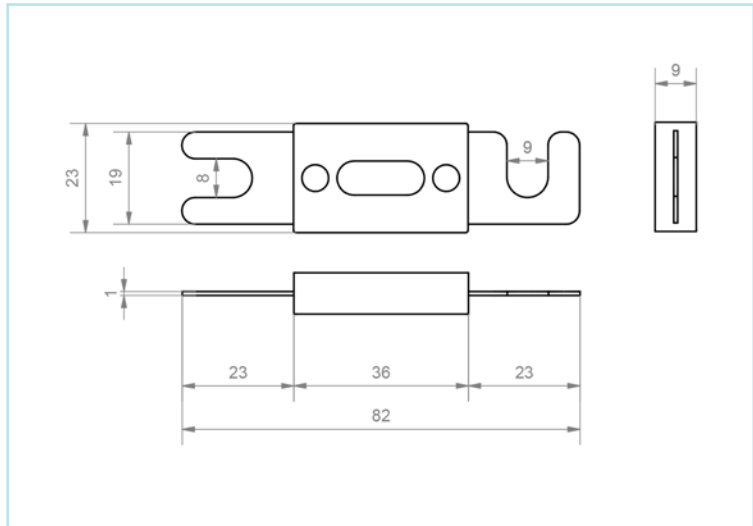


FUSIBLES DE POTENCIA

UNIVERSAL 

ESTÁNDAR

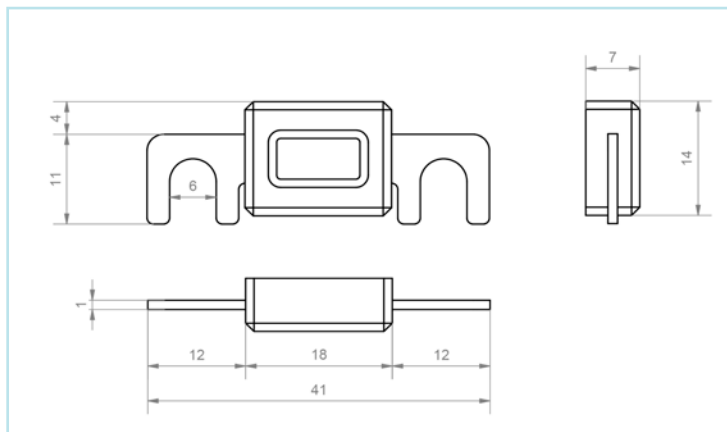
REFERENCIAS	A
RB015051	50 A
RB015052	80 A
RB015053	100 A
RB015054	125 A
RB015055	150 A
RB015056	160 A
RB015057	175 A
RB015058	200 A
RB015059	250 A
RB015060	300 A
RB015061	425 A
RB015062	63 A
RB015063	135A
RB015064	225A
RB015065	275 A
RB015066	355 A
RB015067	400 A
RB015068	425 A
RB015069	500 A
RB015130	325 A
RB015131	35 A
RB015132	50 A



AD / CO / EQ

DISTANCIA CENTRO 30 MM

REFERENCIAS	A
RB015125	30 A
RB015126	50 A
RB015127	80 A
RB015128	100 A
RB015129	150 A



FUSIBLE DE POTENCIA / FUSIBLES / MATERIAL ELÉCTRICO



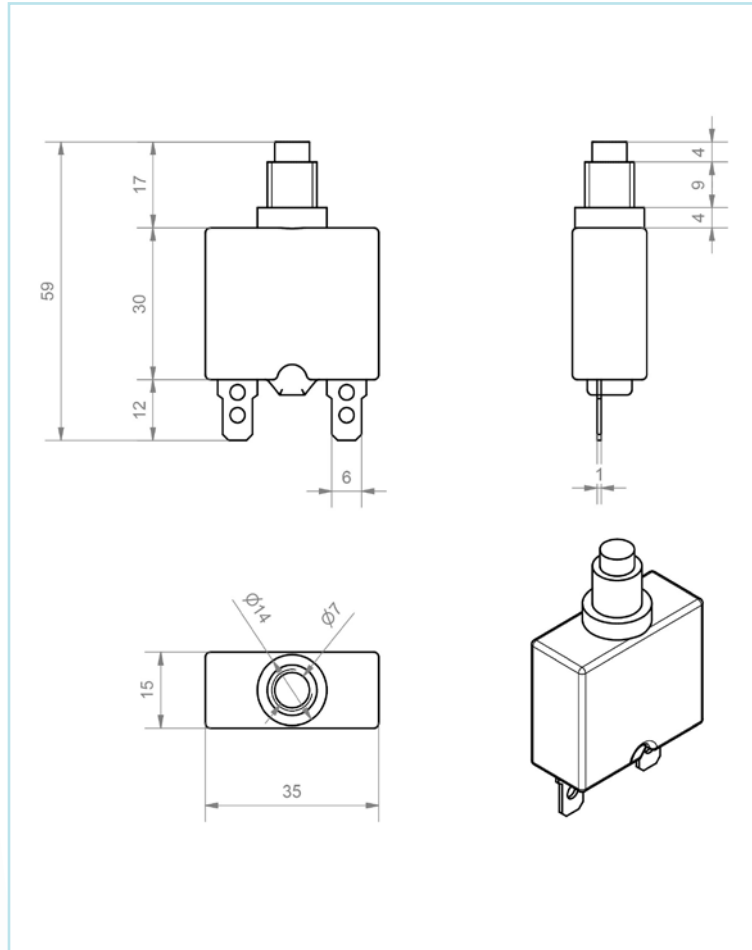
## FUSIBLES TÉRMICOS

UNIVERSAL



REFERENCIAS	A
RB015074	7 A
RB015075	5 A
RB015076	8 A
RB015077	10 A
RB015078	15 A
RB015079	20 A
RB015079.TOR	20 A
RB015080	25 A
RB015081	30 A

AD / CO / EQ



RB015073

UNIVERSAL



AD / CO / EQ



UNIVERSAL

RB015050

UNIVERSAL



AD / CO / EQ



UNIVERSAL



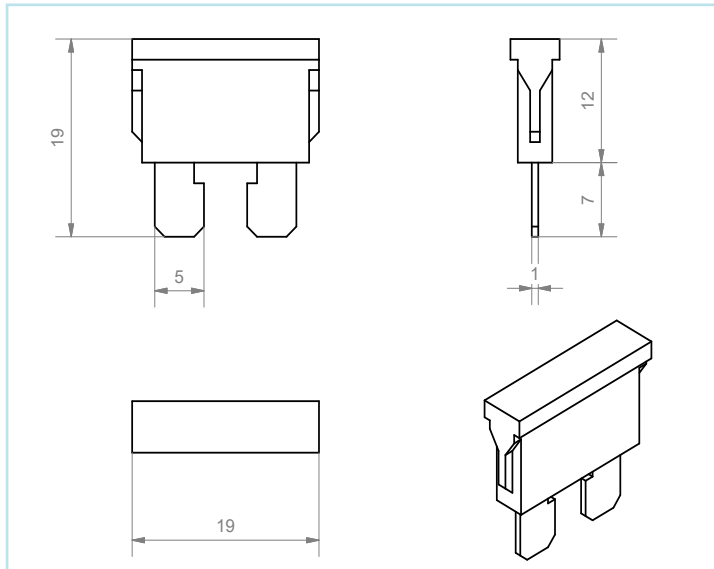
AD / CO / EQ

## FUSIBLES TIPO FICHA

UNIVERSAL



REFERENCIAS	A	
RB015015	1 A	●
RB015016	2 A	●
RB015017	3 A	●
RB015018	4 A	●
RB015019	5 A	●
RB015020	7.5 A	●
RB015021	10 A	●
RB015022	15 A	●
RB015023	20 A	●
RB015024	25 A	●
RB015025	30 A	●
RB015027	40 A	●



AD / CO / EQ

## RB015001.KIT

UNIVERSAL



### TIPO FICHA

5 A	●
7.5 A	●
10 A	●
15 A	●
20 A	●
25 A	●
30 A	●

### FUSIBLE CRISTAL

20 MM	2 A
20 MM	3 A
20 MM	10 A
20 MM	15 A
20 MM	20 A



UNIVERSAL



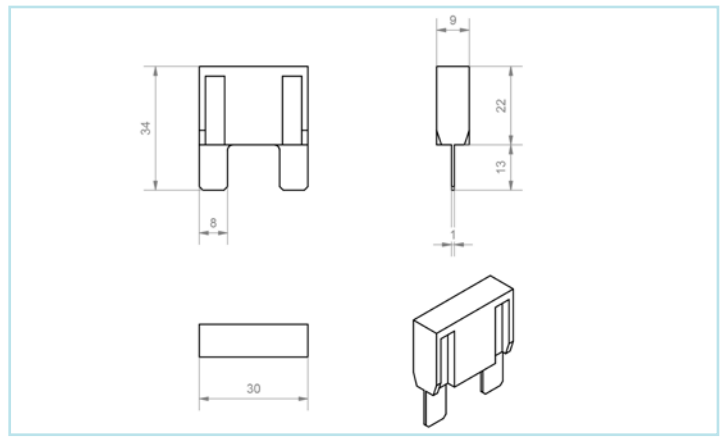
AD / CO / EQ

## FUSIBLES TIPO FICHA MAXI

UNIVERSAL



REFERENCIAS	A	
RB015133	100 A	
RB015134	120 A	
RB015135	20 A	
RB015136	30 A	
RB015137	40 A	
RB015138	50 A	
RB015139	60 A	
RB015140	70 A	
RB015141	80 A	



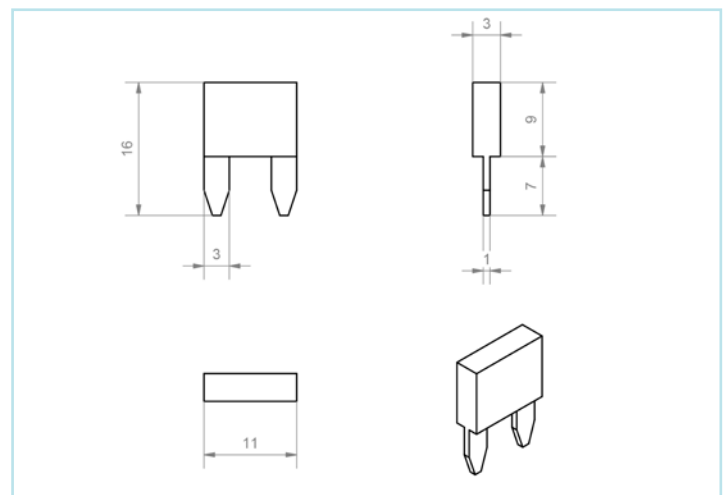
AD / CO / EQ

## FUSIBLES TIPO FICHA MINI

UNIVERSAL



REFERENCIAS	A	
RB015142	10 A	
RB015143	15 A	
RB015144	20 A	
RB015145	25 A	
RB015146	2 A	
RB015147	35 A	
RB015148	3 A	
RB015149	4 A	
RB015150	5 A	
RB015151	7,5 A	



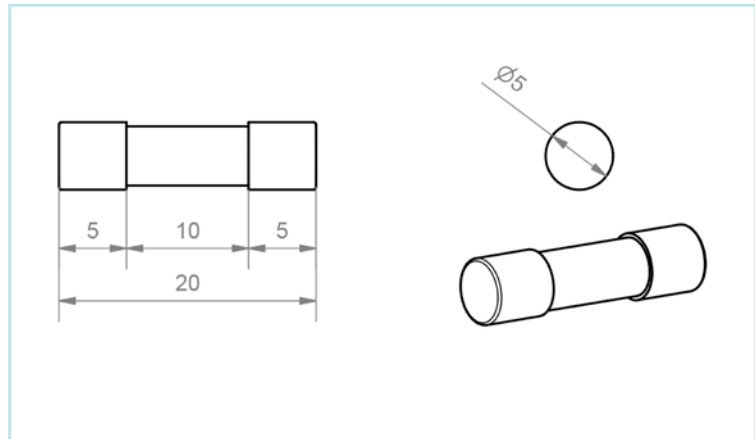


## FUSIBLES DE CRISTAL

UNIVERSAL 

### 20 MM

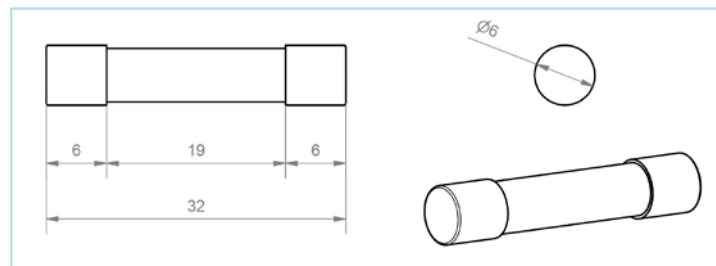
REFERENCIAS	A
RB015101	1 A
RB015102	0.2 A
RB015103	3 A
RB015104	5 A
RB015105	10 A
RB015106	15 A
RB015107	20 A
RB015152	4 A
RB015153	7,5 A



AD / CO / EQ

### 32 MM

REFERENCIAS	A
RB015154	1A
RB015155	2 A
RB015156	3 A
RB015157	4 A
RB015158	5 A



RB015026

UNIVERSAL



AD / CO / EQ

UNIVERSAL

RB015099

UNIVERSAL



AD / CO / EQ

UNIVERSAL

RB015100

UNIVERSAL



AD / CO / EQ

UNIVERSAL

